

## ● Resistance Weld Crystal Unit for Microprocessor, VTR, Color-TV Model HC-49/U

for Microprocessor

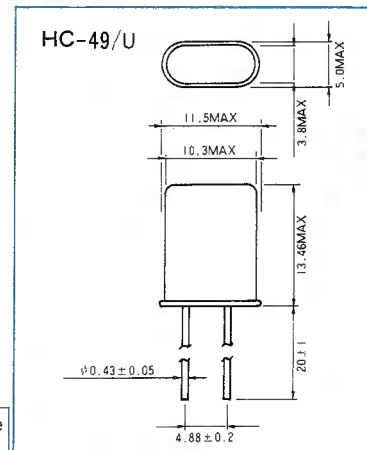
Model	HC-49/U	
Frequency Range	2~50MHz	
Standard Frequency	Table 5	
Resonance Mode	2MHz~24MHz: Fundamental 24.1~50MHz: 3rd overtone	
Operating Temp. Range	-20~70°C	
Frequency Tolerance	at 25°C	±50PPM
	vs. Oper. Temp. Range	±50PPM (referred to 25°C)
Load Capacitance	Table 5	
Equivalent Series Resistance	2MHz~3.4MHz	: 500Ω
	3.5MHz~4.4MHz	: 100Ω
	4.5MHz~4.999MHz	: 80Ω
	5.0MHz~5.199MHz	: 75Ω
	5.2MHz~5.999MHz	: 70Ω
	6.0MHz~20.000MHz	: 50Ω
20.1MHz~50MHz	: 60Ω	

Table 5

Frequency (MHz)	Load Capacitance (PF)	Frequency (MHz)	Load Capacitance (PF)
2.000	16	10.000	16
2.097152	16	10.738635	16
2.4576	16	11.000	16
3.000	16	11.0592	16
3.579545	16	12.000	16
3.6864	16	14.31818	16
4.000	13.2	14.7456	16
4.194304	16	15.000	16
4.433619	16	16.000	16
4.500	16	16.384	16
4.9152	16	17.734476	16
5.000	16	18.000	16
6.000	16	18.432	16
6.144	16	19.6608	16
6.400	16	20.000	16
7.200	16	22.1184	16
7.3728	16	24.000	16
8.000	16	27.000	16
8.4572	16	32.000	16
8.6436	16	36.000	16
9.216	16	48.000	16

for VTR & Color TV

Model	HC-49/U	
Nominal Frequency	3579.545kHz	14318.18kHz
	4433.619kHz	17734.476kHz
Operating Temp. Range	-10~70°C	
Frequency Tolerance	at 25°C	±30PPM
	vs. Oper. Temp. Range	±30PPM (referred to 25°C)
Load Capacitance	16PF	

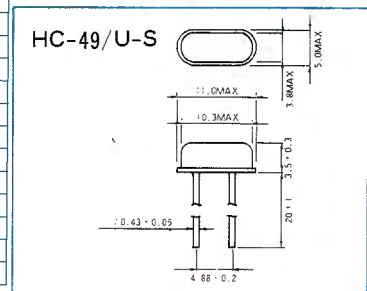


## ● Miniature Crystal Unit for Microprocessor, VTR, Color-TV Model HC-49/U-S

Model	HC-49/U-S	
Frequency Range	3.5MHz~24MHz	
Standard Frequency	Table 6	
Resonance Mode	Fundamental	
Operating Temp. Range	-10~70°C	
Frequency Tolerance	at 25°C	±50ppm
	vs. Oper. Temp. Range	±50ppm (referred to 25°C)
Load Capacitance	Table 6	
Equivalent Series Resistance	3.5~4.09MHz	: 150Ω
	4.1~4.79MHz	: 120Ω
	4.8~5.79MHz	: 100Ω
	5.8~11.99MHz	: 90Ω
	12.0~14.29MHz	: 70Ω
	14.3~24.0MHz	: 50Ω

Table 6

Frequency (MHz)	Load Capacitance (PF)	Frequency (MHz)	Load Capacitance (PF)
3.579545	16	9.8304	16
3.6864	16	10.000	12
3.93216	16	10.240	12
4.000	16	10.738635	12
4.194304	11.5	11.000	12
4.433619	16	11.0592	12
4.500	14	12.000	12
4.9152	16	12.288	12
6.000	16	14.31818	12
6.144	16	16.000	12
7.3728	16	17.734476	12
8.000	16	20.000	12
8.4672	16	21.47727	12

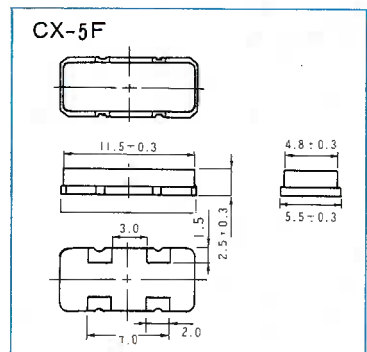


## ● Surface Moun Crystal Unit for Microprocessor Model CX-5F

Model	CX-5F	
Standard Frequency	Table 7	
Operating Temp. Range	-10~70°C	
Storage Temp. Range	-40~85°C	
Frequency Tolerance	at 25°C	±100ppm
	vs. Oper. Temp. Range	±100ppm (referred to 25°C)
Load Capacitance	12pF	
Equivalent Series Resistance	Table 7	

Table 7

Frequency	Equivalent Series Resistance
3579.545kHz	300Ω以下
3686.400kHz	300Ω以下
4000.000kHz	200Ω以下
6000.000kHz	200Ω以下
8000.000kHz	120Ω以下
12000.000kHz	100Ω以下
16000.000kHz	100Ω以下
20000.000kHz	100Ω以下



## ● High Quality Crystl Unit for Car Electronics Model HC-49/U-S

Model	HC-49/U-S	
Standard Frequency	Table 8	
Operating Temp. Range	-40~125°C	
Frequency Tolerance	at 25°C	±200ppm
	vs. Oper. Temp. Range	±300ppm (referred to 25°C)
Load Capacitance	12pF	

Table 8

Frequency
4000.000kHz
6000.000kHz
8000.000kHz
12000.000kHz
16000.000kHz
20000.000kHz

